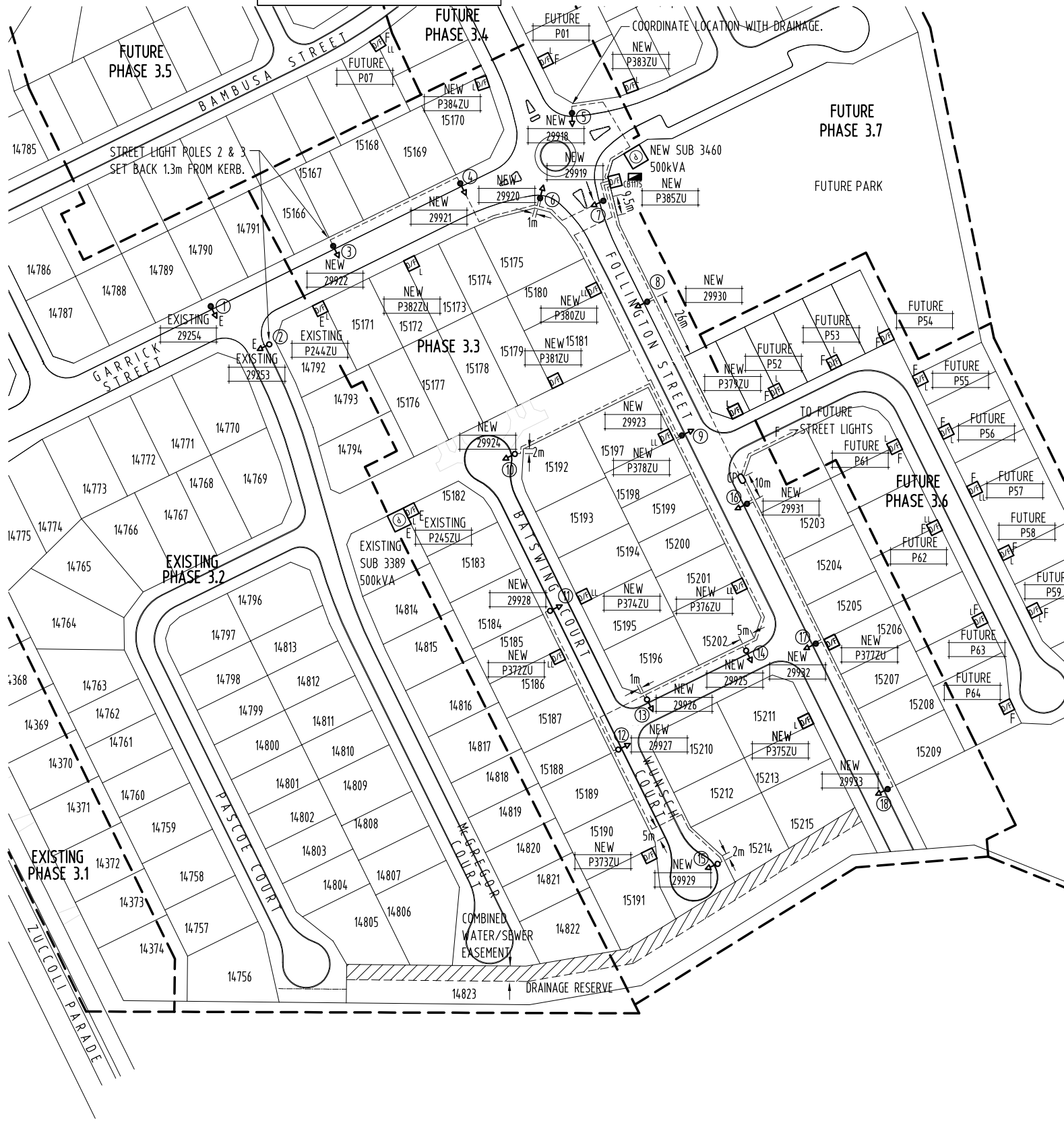


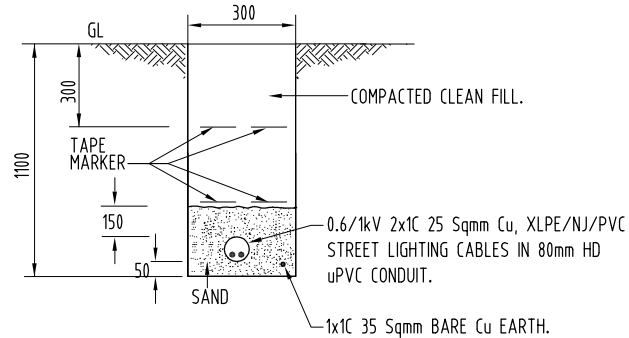


GIFTED ASSETS

WARNING
BEWARE OF EXISTING UNDERGROUND SERVICES.
CONTRACTOR SHALL CONFIRM LOCATIONS OF SERVICES
PRIOR TO EXCAVATION. COORDINATE WITH
ALL RELEVANT AUTHORITIES.



SITE PLAN (1:1000 AT A1)



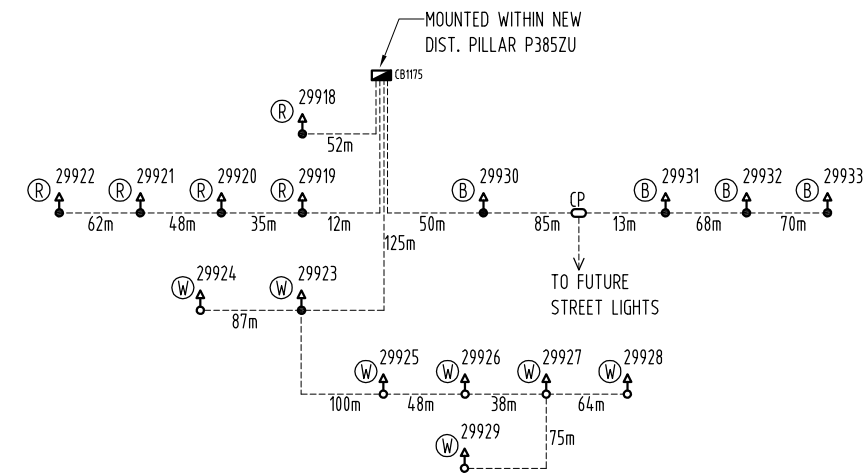
DETAIL D - TYPICAL STREET LIGHTING CABLE (BETWEEN COLUMN & ELECTRICAL SERVICE TRENCH) DETAIL N.T.S.

NOTES

- REFER DWG No. B17-8747 FOR DETAILS OF ITEMS LISTED IN LEGEND.
- EXTEND CONDUIT FROM STREET LIGHT ELBOW TO WITHIN ELECTRICAL SERVICES TRENCH ALLOCATION.
- STREET LIGHTING SHALL BE CONNECTED TO NEW DIST. PILLAR P385ZU (DIST. PILLAR INCORPORATES TIME CLOCK CONTROL PANEL).
- STREET LIGHTING CABLEING SHALL BE RUN BELOW (DEEPER THAN STANDARD ELECTRICAL TRENCH DEPTH/COVER) SEWER AND/OR STORMWATER MAIN WITH A MINIMUM OF 300mm CLEARANCE AT CROSSOVER LOCATIONS. COORDINATE ON SITE WITH CIVIL CONTRACTOR.
- MINIMUM 300mm HORIZONTAL SEPARATION REQUIRED BETWEEN EDGE OF NBN Co. CONDUIT/S & LV CABLEING. TRENCH WIDTH MAYBE EXTENDED BY 200mm TOWARDS PROPERTY BOUNDARY TO ENSURE 300mm HORIZONTAL SEPARATION PROVIDED. WHERE 300mm SEPARATION NOT PROVIDED, STREET LIGHTING CABLEING SHALL BE INSTALLED IN 80mm HD uPVC CONDUIT. ALSO REFER DWG No. B17-8742, DETAILS B & C.

LEGEND

- NEW PACKAGE SUBSTATION (RATING AS SHOWN). 'E' INDICATES EXISTING.
- NEW DISTRIBUTION DOUBLE LINK PILLAR - FUSED TYPE. 'F' INDICATES FUTURE.
- NEW DISTRIBUTION LINK PILLAR - FUSED TYPE. 'E' INDICATES EXISTING/'F' INDICATES FUTURE.
- NEW DISTRIBUTION PILLAR - FUSED TYPE. 'F' INDICATES FUTURE.
- NEW SINGLE PHASE STREET LIGHT CABLE - 0.6/1kV 2x1C 25 Sq mm Cu, XLPE/NJ/PVC - DIRECT BURIED (OR WITHIN CONDUIT AT ROAD CROSSINGS/INTO STREET LIGHT POLE). NOTE: STREET LIGHT CIRCUITS INCLUDE 1x1C 35 Sq mm Cu BARE EARTH CONNECTED TO STREET LIGHTING CIRCUITS ON DIST. PILLAR. ALSO REFER NOTE 5.
- EXISTING STREET LIGHT - 150W HPS LUMINAIRE MOUNTED ON 9m POLE WITH 1.5m OUTREACH.
- NEW STREET LIGHT - 80W LED 'GE' ECO R250 LUMINAIRE MOUNTED ON 9m POLE WITH 1.5m OUTREACH. SET BACK 1.1m FROM KERB (UNLESS SHOWN OTHERWISE).
- EXISTING STREET LIGHT - 70W HPS LUMINAIRE MOUNTED ON 6.5m POLE WITH 1.5m CURVED OUTREACH.
- NEW STREET LIGHT - 25W LED 'GE' P4/P5 LUMINAIRE MOUNTED ON 6.5m POLE WITH 1.5m CURVED OUTREACH. SET BACK 1.1m FROM KERB.
- NEW STREET LIGHT CONTROL PANEL (MOUNTED WITHIN DIST. PILLAR SHOWN).
- NEW CABLE PIT.



STREET LIGHT SINGLE LINE DIAGRAM (N.T.S.)

CONTRACTOR:
NT ELECTRICAL GROUP
PO BOX 39521
WINNELLIE NT 0821
PHONE: 0947 5500
FACSIMILE: 0947 0216

DEVELOPER: URBEX PTY LTD GPO Box 2289 DARWIN NT 0801 PHONE: 8930 4412 FACSIMILE: 8930 9063 EMAIL: tim.bycroft@urbex.com.au CONTACT: TIM BYCROFT	AGA CONSULTING ENGINEERS PTY LTD ELECTRICAL & MECHANICAL ACN 070 242 296 GPO BOX 3097 DARWIN NT 0801 TELEPHONE: 08 89416582 FACSIMILE: 08 89421400 EMAIL: aieky@agaeng.com.au	E AS CONSTRUCTED D ISSUED FOR CONSTRUCTION C LAYOUT & STREET LIGHT SINGLE LINE DIAGRAM AMENDED B ISSUED FOR POWER AND WATER APPROVAL A ISSUED FOR POWER AND WATER REVIEW	NO DESCRIPTION DRN DATE APPD DRG NO TITLE AMENDMENTS ASSOCIATED DRAWINGS	K.T. 25-6-18 A.G. B17-8749 HV SCHEMATICS K.T. 11-9-17 A.G. B17-8748 SINGLE LINE DIAGRAM & LEGEND K.T. 7-9-17 A.G. B17-8747 NOTES & POLE SCHEDULE K.T. 31-7-17 A.G. B17-8746 MASTER SERVICES PLAN K.T. 12-7-17 A.G. B17-8745 CONDUIT ROUTE LAYOUT B17-8749 HV ELECTRICAL RETICULATION B17-8747 HV ELECTRICAL RETICULATION	DRAWING STATUS P PRELIMINARY/PROPOSED T TENDERING PURPOSES ONLY AC APP. FOR CONSTRUCTION AI AS INSTALLED C CANCELLED/SUPERSEDED	APPD DATE AGA377-14	NORTHERN TERRITORY	DES A.GANGUR POWER NETWORKS - PALMERSTON DISTRIBUTION	SUBDIVISION OF LOT 11022 ZUCCOLI SUBDIVISION - STAGE 1 : PHASE 3.3 STREET LIGHTING RETICULATION	SCALE 1:1000 AT A1 ISSUED 25-6-18 ALL DIM. IN mm DRAFTING STANDARD TO A.S.1100	A1 DRAWING NUMBER B17-8744	
								DRN K.TAVENER CKD A.GANGUR				



GIFTED ASSETS

WARNING
 BEWARE OF EXISTING UNDERGROUND SERVICES.
 CONTRACTOR SHALL CONFIRM LOCATIONS OF SERVICES
 PRIOR TO EXCAVATION. COORDINATE WITH
 ALL RELEVANT AUTHORITIES.



SITE PLAN (1:1000 AT A1)

NOTES

- 1 - REFER DWG No. B17-8747 FOR DETAILS OF ITEMS LISTED IN LEGEND.
- 2 - CONTRACTOR SHALL LOCATE EXISTING EARTH CABLING IN LOCATIONS SHOWN, JOINT NEW 1x1C 70 Sq mm Cu, BARE EARTH CABLING & EXTEND TO & CONNECT TO NEW DIST. PILLARS P372ZU/P374ZU/P378ZU/P382ZU.
- 3 - CONTRACTOR SHALL LOCATE EXISTING SAND PITS AT LOCATIONS SHOWN & INSTALL NEW LV DIST. CABLING WITHIN EXISTING SPARE 100mm HD uPVC CONDUIT & THEN DIRECT BURIED TO NEW DIST. PILLARS P372ZU/P374ZU/P378ZU/P382ZU (EXCEPT IN NEW 100mm HD uPVC CONDUIT AT ROAD CROSSING).
- 4 - CONTRACTOR SHALL LEAVE SUFFICIENT LENGTH NEW LV DIST. CABLING (FROM NEW DIST. PILLARS P374ZU/P378ZU LOCATION) COILED WITHIN EXISTING SAND PIT IN FRONT OF EXISTING SUB 3389 & ARRANGE FOR POWER AND WATER TO PULL NEW LV DIST. CABLING THROUGH EXISTING SPARE 2x100mm SWEEP BENDS INTO EXISTING SUB 3389 LV SECTION & CONNECT/TERMINATE.
- 5 - CONTRACTOR SHALL LEAVE SUFFICIENT LENGTH NEW LV DIST. CABLING (FROM NEW DIST. PILLARS P372ZU/P382ZU) COILED WITHIN EXISTING SAND PIT SHOWN & ARRANGE FOR POWER AND WATER TO PULL NEW LV DIST. CABLING THROUGH EXISTING SPARE 1x100mm SWEEP BEND INTO EXISTING DIST. PILLARS P245ZU/P244ZU & CONNECT/TERMINATE.
- 6 - LV CABLING SHALL BE RUN BELOW (DEEPER THAN STANDARD ELECTRICAL TRENCH DEPTH/COVER) SEWER AND/OR STORMWATER MAINS WITH A MINIMUM OF 300mm CLEARANCE AT CROSSOVER LOCATIONS. COORDINATE ON SITE WITH CIVIL CONTRACTOR.
- 7 - MINIMUM 300mm HORIZONTAL SEPARATION REQUIRED BETWEEN EDGE OF NBN Co. CONDUIT/S & LV CABLING. TRENCH WIDTH MAYBE EXTENDED BY 200mm TOWARDS PROPERTY BOUNDARY TO ENSURE 300mm HORIZONTAL SEPARATION PROVIDED. WHERE 300mm SEPARATION NOT PROVIDED, LV CABLING SHALL BE INSTALLED IN 100mm HD uPVC CONDUIT. ALSO REFER DWG No. B17-8742, DETAILS B & C.

LEGEND

- NEW PACKAGE SUBSTATION (RATING AS SHOWN). 'E' INDICATES EXISTING.
- NEW DISTRIBUTION DOUBLE LINK PILLAR - FUSED TYPE. 'F' INDICATES FUTURE.
- NEW DISTRIBUTION LINK PILLAR - FUSED TYPE. 'E' INDICATES EXISTING/'F' INDICATES FUTURE.
- NEW DISTRIBUTION PILLAR - FUSED TYPE. 'F' INDICATES FUTURE.
- NEW LV DISTRIBUTION CABLE - 0.6/1kV 4 x 1C 240 Sq mm AL, XLPE/NJ/PVC & 1 x 1C 70 Sq mm Cu, BARE EARTH - DIRECT BURIED (OR WITHIN CONDUIT AT ROAD CROSSING). ALSO REFER NOTE 7. 'E' INDICATES EXISTING/'F' INDICATES FUTURE.
- NEW LV SERVICE CABLE - 0.6/1kV 2 x 1C 25 Sq mm Cu, XLPE/NJ/PVC - DIRECT BURIED (OR WITHIN CONDUIT AT ROAD CROSSING). ALSO REFER NOTE 7. 'E' INDICATES EXISTING.
- NEW 3 PHASE LV SERVICE CABLE (SUPPLY TO STREET LIGHTING CONTROL PILLAR) - 0.6/1kV 4 x 1C 25 Sq mm Cu, XLPE/NJ/PVC & 1 x 1C 70 Sq mm Cu, BARE EARTH - DIRECT BURIED. ALSO REFER NOTE 7.
- EXISTING PARALLEL LV SERVICE CABLE.
- NEW PARALLEL LV SERVICE CABLE - 0.6/1kV 4 x 1C 25 Sq mm Cu, XLPE/NJ/PVC - DIRECT BURIED (OR WITHIN CONDUIT AT ROAD CROSSING). ALSO REFER NOTE 7.
- EXISTING SAND PIT.
- EXISTING SAND PIT.

PILLAR SCHEDULE		
PILLAR	630A STRIPPLE FUSE UNIT	160A STRIPPLE FUSE UNIT
P372ZU	3	2
P373ZU	1	2
P374ZU	3	2
P375ZU	2	2
P376ZU	3	1
P377ZU	1	2
P378ZU	3	2
P379ZU	2	1
P380ZU	3	1
P381ZU	1	2
P382ZU	2	2
P383ZU	2	1
P384ZU	2	1
P385ZU	-	1

← DIST. PILLAR P385ZU ALSO FITTED WITH STREET LIGHT CB1175. DIST. PILLAR P385ZU SHALL BE 'S SLOT' TYPE.

CONTRACTOR:
NT ELECTRICAL GROUP
 PO BOX 39521
 WINNELLIE NT 0821
 PHONE: 0947 5500
 FACSIMILE: 0947 0216

DEVELOPER:
URBEX PTY LTD
 GPO Box 2289
 DARWIN NT 0801
 PHONE: 8930 4412
 FACSIMILE: 8930 9063
 EMAIL: tim.bycroft@urbex.com.au
 CONTACT: TIM BYCROFT



AGA CONSULTING ENGINEERS PTY LTD
 ELECTRICAL & MECHANICAL
 ACN 070 242 296
 GPO BOX 3097
 DARWIN NT 0801
 TELEPHONE: 08 89416582
 FACSIMILE: 08 89421400
 EMAIL: aiek@gagaeng.com.au

NO	DESCRIPTION	DRN	DATE	APPD	DRG NO	TITLE
E	AS CONSTRUCTED		25-6-18	A.G.	B17-8749	HV SCHEMATICS
D	ISSUED FOR CONSTRUCTION		11-9-17	A.G.	B17-8748	SINGLE LINE DIAGRAM & LEGEND
C	LAYOUT, LEGEND & PILLAR SCHEDULE AMENDED		7-9-17	A.G.	B17-8747	NOTES & POLE SCHEDULE
B	ISSUED FOR POWER AND WATER APPROVAL		31-7-17	A.G.	B17-8746	MASTER SERVICES PLAN
A	ISSUED FOR POWER AND WATER REVIEW		12-7-17	A.G.	B17-8745	CONDUIT/DUCT LAYOUT
					B17-8744	STREET LIGHTING RETICULATION
					B17-8742	HV ELECTRICAL RETICULATION

DRAWING STATUS		APPD	DATE
P	PRELIMINARY/PROPOSED		
T	TENDERING PURPOSES ONLY		
A	APP. FOR CONSTRUCTION		
AI	AS INSTALLED		
C	CANCELLED/SUPERSEDED		



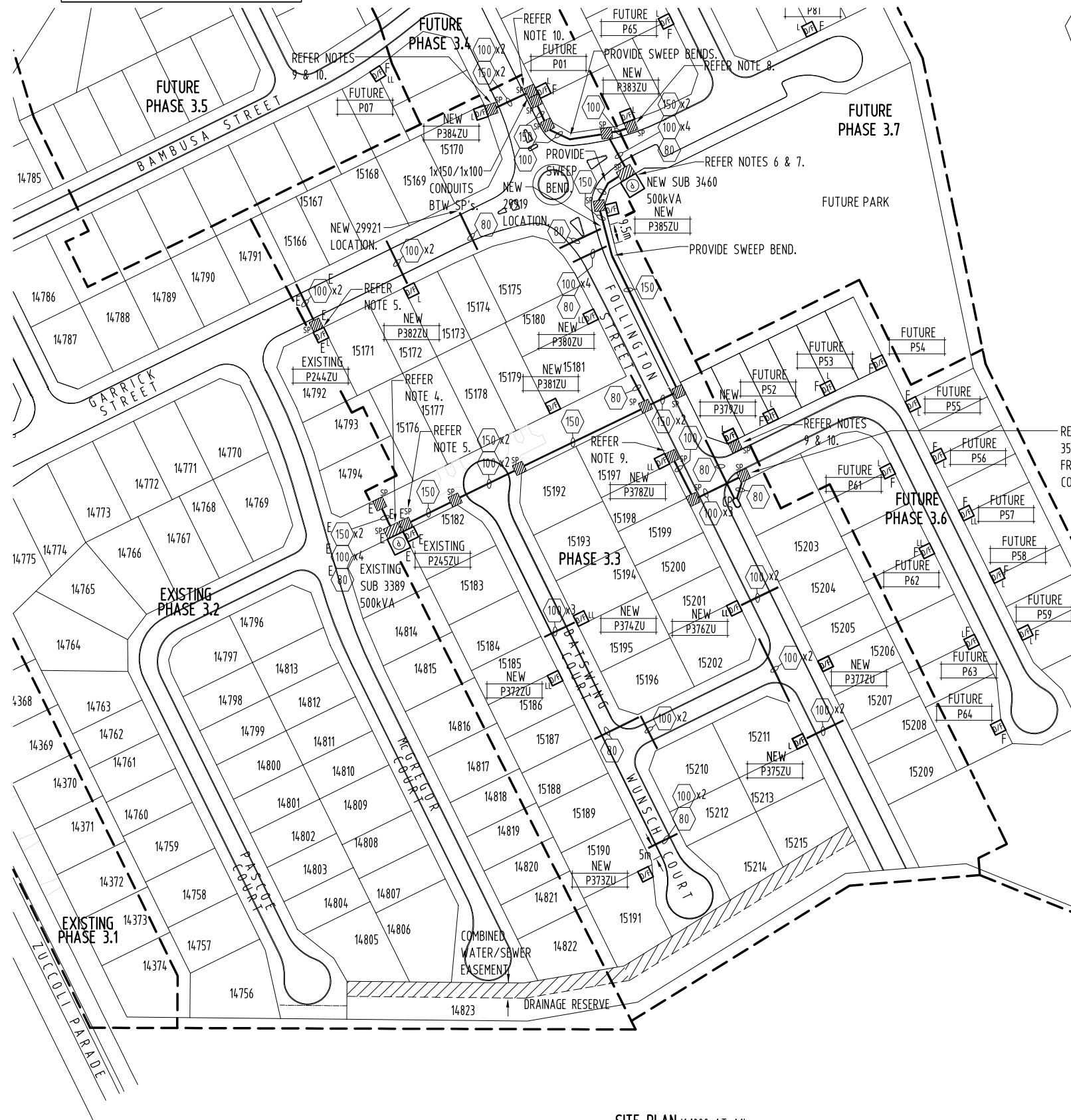
DES	A.GANGUR	POWER NETWORKS - PALMERSTON DISTRIBUTION SUBDIVISION OF LOT 11022	
DRN	K.TAVENER	ZUCCOLI SUBDIVISION - STAGE 1 : PHASE 3.3	
CKD	A.GANGUR	LV ELECTRICAL RETICULATION	
APPD			
SCALE	1:1000 AT A1		
ISSUED	25-6-18		
ALL DIM. IN mm		A1	DRAWING NUMBER B17-8743
DRAFTING STANDARD TO A.S.1100			FILE No: NE590/14375





WARNING
BEWARE OF EXISTING UNDERGROUND SERVICES.
CONTRACTOR SHALL CONFIRM LOCATIONS OF SERVICES
PRIOR TO EXCAVATION. COORDINATE WITH
ALL RELEVANT AUTHORITIES.

GIFTED ASSETS



NOTES

- 1 - REFER DWG No. B17-8747 FOR DETAILS OF ITEMS LISTED IN LEGEND.
- 2 - ALL SPARE CONDUITS SHALL INCLUDE DRAW WIRES/FITTED WITH END CAPS.
- 3 - PROVIDE CONTINUOUS SWEEP BENDS IN ALL CHANGES IN CONDUIT ROUTE DIRECTIONS.
- 4 - CONTRACTOR SHALL LOCATE EXISTING SAND PITS AT LOCATIONS SHOWN & INSTALL NEW HV CABLING WITHIN EXISTING SPARE 150mm HD uPVC CONDUIT BETWEEN EXISTING/NEW SAND PITS, THEN RUN IN NEW 1x150mm HD uPVC CONDUIT TO NEW SUB 3460.
- 5 - CONTRACTOR SHALL LOCATE EXISTING SAND PITS AT LOCATIONS SHOWN & INSTALL NEW LV DIST. CABLING WITHIN EXISTING SPARE 100mm HD uPVC CONDUIT BETWEEN EXISTING SAND PITS SHOWN, THEN RUN DIRECT BURIED TO NEW DIST. PILLARS P372ZU/P374ZU/P378ZU/P382ZU (EXCEPT IN NEW 100mm HD uPVC CONDUIT AT ROAD RESERVE CROSSING).
- 6 - SUPPLY/INSTALL 6x100mm SWEEP BENDS INTO NEW SUB 3460 HV SECTION (FOR NEW HV CABLING) - ALIGN 3x100mm SWEEP BENDS WITH EACH HV SWITCH. ALSO SUPPLY/INSTALL 1x150mm SWEEP BEND INTO NEW SUB 3460 HV SECTION (FOR POSSIBLE FUTURE HV CABLING) - ALIGN WITH POSSIBLE FUTURE HV SWITCH. EXTEND CONDUITS TO WITHIN SAND PIT IN ROAD RESERVE IN FRONT OF NEW SUB 3460.
- 7 - SUPPLY/INSTALL 6x100mm/1x80mm SWEEP BENDS INTO NEW SUB 3460 LV SECTION - 4x100mm FOR NEW LV DIST. CABLING, 2x100mm FUTURE STAGE LV DIST. CABLING & 1x80mm FOR NEW LV SERVICE CABLING TO NEW STREET LIGHTING CONTROL DIST. PILLAR P385ZU. EXTEND CONDUITS TO WITHIN SAND PIT IN ROAD RESERVE IN FRONT OF NEW SUB 3460.
- 8 - SUPPLY/INSTALL 1x100mm SWEEP BEND INTO NEW DIST. PILLAR P383ZU - FOR FUTURE STAGE LV DIST. CABLING. EXTEND CONDUIT TO WITHIN SAND PIT IN ROAD RESERVE IN FRONT OF NEW DIST. PILLAR P383ZU.
- 9 - SUPPLY/INSTALL 1x100mm SWEEP BEND INTO NEW DIST. PILLARS P378ZU/P379ZU/P384ZU - FOR FUTURE STAGE LV DIST. CABLING. EXTEND CONDUIT TO WITHIN SAND PIT IN ROAD RESERVE IN FRONT OF NEW DIST. PILLARS P378ZU/P379ZU/P384ZU.
- 10 - EXTEND & LEAVE 3m 1x1C 70 Sq mm Cu, BARE EARTH COILED WITHIN SAND PIT SHOWN FOR FUTURE STAGE CONNECTION.
- 11 - EXTEND & LEAVE 3m 1x1C 35 Sq mm Cu, BARE EARTH COILED WITHIN SAND PIT SHOWN FOR FUTURE STAGE CONNECTION.
- 12 - EXTEND ALL CONDUITS AT ROAD CROSSINGS TO WITHIN ELECTRICAL SERVICES TRENCH ALLOCATION.
- 13 - CONDUITS SHALL BE INSTALLED IN A CONTINUOUS SWEEP CURVE.
- 14 - MINIMUM 300mm HORIZONTAL SEPARATION REQUIRED BETWEEN EDGE OF NBN Co. CONDUIT/S & LV CABLING. TRENCH WIDTH MAYBE EXTENDED BY 200mm TOWARDS PROPERTY BOUNDARY TO ENSURE 300mm HORIZONTAL SEPARATION PROVIDED. WHERE 300mm SEPARATION NOT PROVIDED, LV CABLING SHALL BE INSTALLED IN 100mm HD uPVC CONDUIT/ STREET LIGHTING CABLING IN 80mm HD uPVC CONDUIT. ALSO REFER DWG No. B17-8742, DETAILS B & C.

LEGEND

- NEW PACKAGE SUBSTATION (RATING AS SHOWN).
'E' INDICATES EXISTING.
- NEW DISTRIBUTION DOUBLE LINK PILLAR - FUSED TYPE.
'F' INDICATES FUTURE.
- NEW DISTRIBUTION LINK PILLAR - FUSED TYPE.
'E' INDICATES EXISTING/'F' INDICATES FUTURE.
- NEW DISTRIBUTION PILLAR - FUSED TYPE.
'F' INDICATES FUTURE.
- NEW ELECTRICAL CONDUIT/DUCT. CONDUIT/DUCT TYPE AS FOLLOWS:
- HD uPVC FOR ALL HV CABLING.
- HD uPVC FOR LV DIST./SERVICE/STREET LIGHT CABLING FOR ROAD CROSSINGS/RESERVE.
'E' INDICATES EXISTING.
- NUMBER INSIDE INDICATES CONDUIT/DUCT SIZE.
- NUMBER SHOWN/DRAWN INDICATES NUMBER OF CONDUITS REQUIRED.
'E' INDICATES EXISTING.
- NEW SAND PIT - 1000x1000x6000 WITH A MINIMUM COVER OF 0.9m TO TOP OF CONDUITS.
'E' INDICATES EXISTING.
- NEW SAND PIT - 1500x1000x6000 WITH A MINIMUM COVER OF 0.9m TO TOP OF CONDUITS.
'E' INDICATES EXISTING.
- NEW CABLE PIT.

SITE PLAN (1:1000 AT A1)

CONTRACTOR:
NT ELECTRICAL GROUP

PO BOX 39521
WINNELLIE NT 0821

PHONE: 0947 5500
FACSIMILE: 0947 0216

DEVELOPER: URBEX PTY LTD GPO Box 2289 DARWIN NT 0801 PHONE: 8930 4412 FACSIMILE: 8930 9063 EMAIL: tim.bycroft@urbex.com.au CONTACT: TIM BYCROFT	AGA CONSULTING ENGINEERS PTY LTD ELECTRICAL & MECHANICAL ACN 070 242 296 GPO BOX 3097 DARWIN NT 0801 TELEPHONE: 08 89416582 FACSIMILE: 08 89421400 EMAIL: aiek@agaeng.com.au	E AS CONSTRUCTED D ISSUED FOR CONSTRUCTION C LAYOUT & NOTES AMENDED B ISSUED FOR POWER AND WATER APPROVAL A ISSUED FOR POWER AND WATER REVIEW	NO DESCRIPTION AMENDMENTS	DRN DATE APPD DRG NO TITLE ASSOCIATED DRAWINGS	DRAWING STATUS P PRELIMINARY/PROPOSED T TENDERING PURPOSES ONLY AC APP. FOR CONSTRUCTION AI AS INSTALLED C CANCELLED/SUPERSEDED	APPD DATE AGA377-14	POWER NETWORKS - PALMERSTON DISTRIBUTION SUBDIVISION OF LOT 11022 ZUCCOLI SUBDIVISION - STAGE 1 : PHASE 3.3 CONDUIT/DUCT LAYOUT	DES A.GANGUR DRN K.TAVENER CKD A.GANGUR APPD SCALE 1:1000 AT A1 ISSUED 25-6-18 ALL DIM. IN mm DRAFTING STANDARD TO A.S.1100	A1 DRAWING NUMBER B17-8745 FILE No: NE590/14375	

